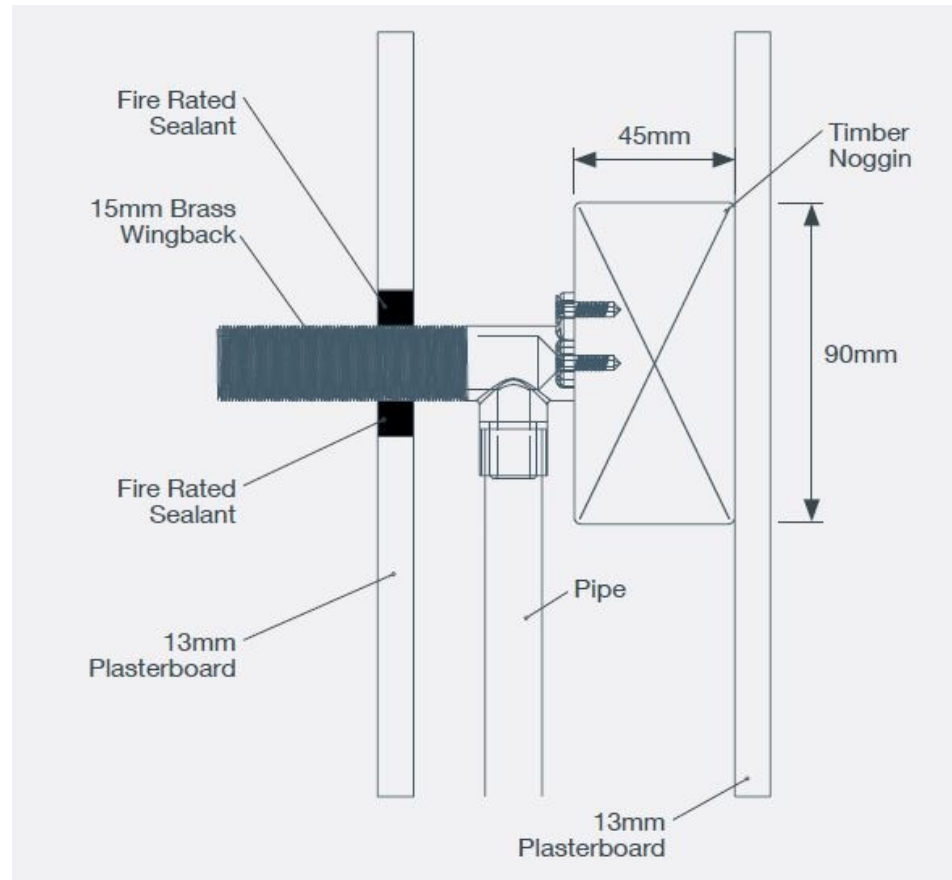


Allproof Fire Rated Mastic MAS310 Brass Wingback - Single Layer Plasterboard Wall

INSTALLATION INSTRUCTIONS:

1. Ensure substrate around the service is flat and free from obstructions.
2. Attach the wingback to a timber noggin with 20mm wood screws.
3. Fill the annular gap (max 10mm) to the full depth of the lining with Allproof Fire Rated Mastic (MAS310) and finish flush with the wall.
4. Rated 60minutes for fire from either side.



BRANZ Appraised
Appraisal No.1088 [2019]

As a part of our policy of on-going product development and testing, we reserve the right to modify, alter or change product specifications without giving notice. All information contained in this document is given in good faith and is provided for guidance only. Any drawings provided are for illustrative purposes only. As Firestop Centre has no control over the methods or competence of installation and of prevailing site conditions, no warranties, expressed or implied, is intended to be given as to the actual performance of the product mentioned or referred to herein and no liability whatsoever will be accepted for any loss, damage or injury arising from the use of the information given.

For all technical details on the products specified please refer to the technical data sheets that can be found on www.firestopcentre.co.nz

Signed and approved:



BRANZ FP13509-001
AS1530.4 Test Report Pg 3
AS1530.4-2014 AS4072.1-2005

System/FPA Register ID# FC691

Products	Allproof Fire Rated Mastic MAS310
Application	Fire stopping of brass wingback in single layer plasterboard wall
Construction	Minimum wall thickness 90mm with single layer 13mm fire board each side

Fire Classification:

Brass wingback 20mm od, nominal 15mm internal with MAS310 in max aperture 40mm diam
FRR -/60/60

ALLPROOF

INDUSTRIES

Allproof Industries Ltd
17 Bay Park Place
Beach Haven, AK 0626

Sheet size: A4	Drawn date & no: 28/7/21
Scale: NTS	Drawn by: G.P